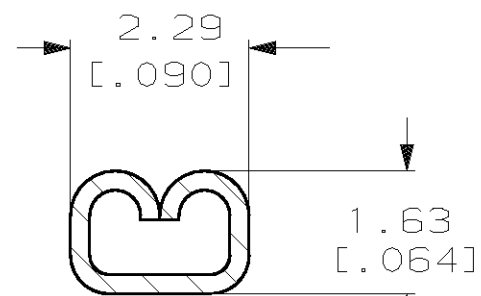
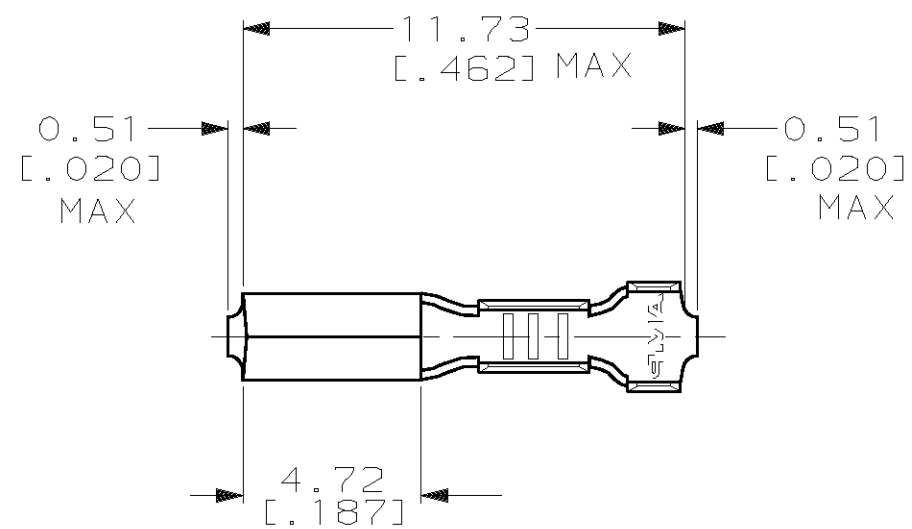
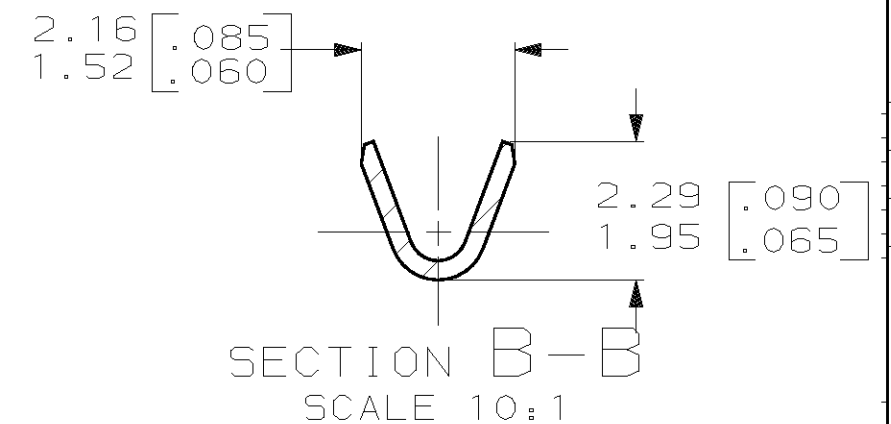
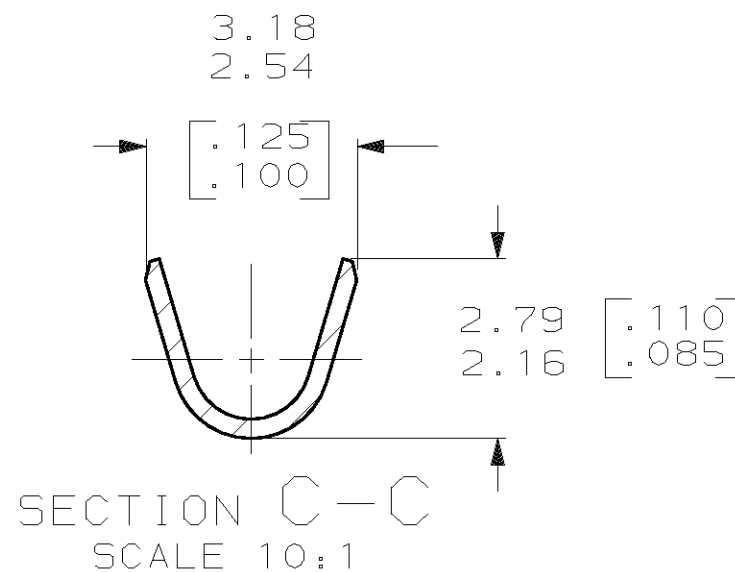
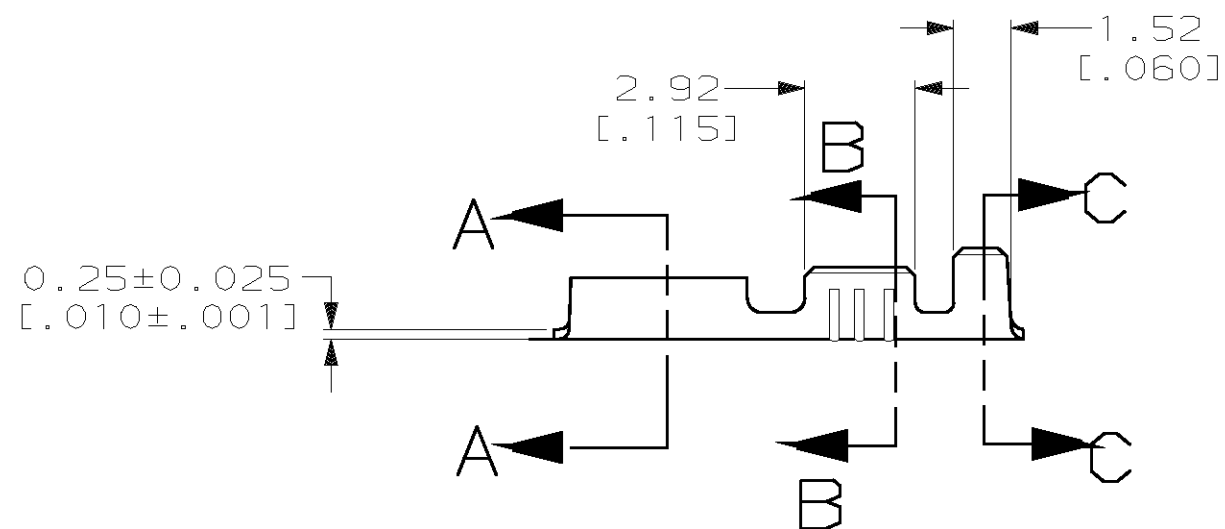


THIS DRAWING IS UNPUBLISHED. RELEASED FOR PUBLICATION, 19 .
© COPYRIGHT 19 BY AMP INCORPORATED. ALL INTERNATIONAL RIGHTS RESERVED.

LOC	DIST	P	F	REVISIONS			
ZONE	LTR	DESCRIPTION	DATE	APPD			
AF	50			A	REDRAWN PER 0L10-0339-97	8/12/97	JR/JG



- 1 SUPPLIED IN LOOSE PIECE.
- 2 MATING TAB SIZE IS 0.79±0.025 BY 1.57 [.031±.001 BY .062].
- 3 WIRE SIZE IS [#24-#20] AWG.
- 4 INSULATION RANGE IS 1.02-2.03 [.040-.080] DIA.



60900-1	61454-1
SRTIP NO.	PART NO

DO NOT SCALE PRINT. UNLESS SPECIFIED DIMENSIONS IN mm [INCHES] TOLERANCES ON: 2 PLC DEC ± 0.25 [.010] 3 PLC DEC ± - ANGLES ± -	DR 8/12/97 JR RUTH	AMP AMP Incorporated Harrisburg, PA 17105-3608
	CHK 8/12/97 MS FEHER	
	APPD 8/12/97 J HUZVAR	
	APPD 8/12/97 D BRATINA	
MATERIAL H04 BRASS	PRODUCT SPEC -	NAME RECEPTACLE, TAB, WRAP TYPE
FINISH 0.002032 [.000080] MIN TIN	APPLICATION SPEC -	SIZE B CAGE CODE 00779 DRAWING NO C-61454
	WEIGHT -	SCALE 5:1 SHEET 1 OF 1

THIS DRAWING IS A CONTROLLED DOCUMENT FOR AMP INCORPORATED. IT IS SUBJECT TO CHANGE AND THE CONTROLLING ENGINEERING ORGANIZATION SHOULD BE CONTACTED FOR THE LATEST REVISION.